

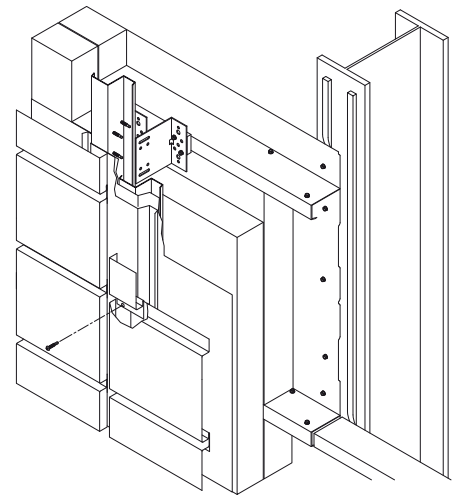


## APL StrongBak™ Long-Span Structural Roof & Wall Panel System

### 100% Non-Combustible Construction

- CONFIDENCE OF A SYSTEM PROVEN OVER 35+ YEARS AND ACCEPTED BY FM GLOBAL
- PROVEN savings vs mineral wool composite alternatives on a fully-installed basis
- PROVEN spans of up to 10m between supports, eliminating expensive secondary steelwork
- Available as a fire-resistance rated insulated system when combined with APL Tritherm™ Spacer System, with simple system upgrades for improved fire resistance performance
- Suitable for both roof and wall applications
- Acoustic performance of 45db AS STANDARD and a 'U' Value down to 0.11 W/m<sup>2</sup>.0C
- An EXTRA 3% NET-LETTABLE AREA vs secondary-steel options
- No projecting or visible internal fixings, with a variety of finishes available
- Up to 40 year warranty available on both the coating and the substrate, including for marine environments
- Flexibility as ALL facade types are compatible
- Quick and simple lifting and installation using standard MEWPs at a rate of c.1,000m<sup>2</sup>/week per gang

#### Typical StrongBak™ Non-Combustible Wall Assembly



- DOES NOT require craneage or specialist installation skills and techniques
- DOES NOT warp, twist, burn or rot
- DOES NOT contain ANY oil-based insulation causing carcinogenic toxic fumes in a fire
- DOES NOT require secondary steel for single in-plane openings

