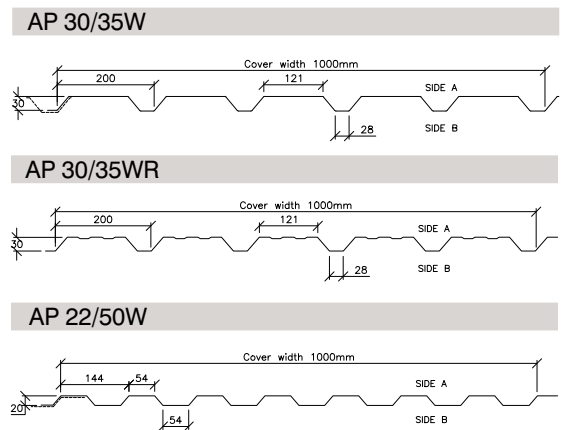




Trapezoidal Profiles

100% Non-Combustible Construction

- Available in aluminium, steel and Cor-ten and as A1 to BS EN 13501-1
- Available as a fire-resistance rated insulated system assembly when combined with APL Tritherm™ Spacer System, with simple system upgrades for improved fire resistance performance
- Available in natural mill finish aluminium & Cor-Ten, PPC, Armacoil™HDP , Anodised, APL PUF, PRISMA and LG finishes
- Available with coating warranties up to 40 years including in marine environments
- Available perforated and in bespoke widths
- Can be laid both horizontally and vertically
- System constructions available onto APL StrongBak™, cladding rails, SFS and blockwork
- Can be installed as part of the non-combustible APL EcoClad™ Energi Systems
- U-values down to 0.10 W/m²K
- Available as part of APL SoundWall™ Acoustic system with weighted sound reduction of upto 64dB



Typical APL non-combustible horizontal wall profile assembly

