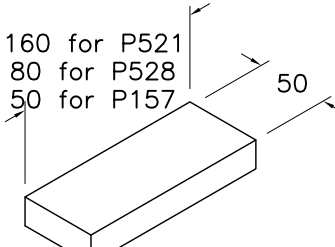
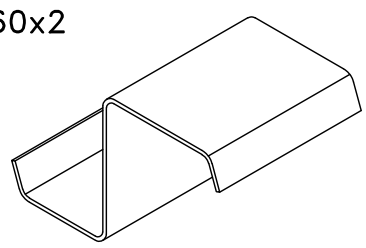
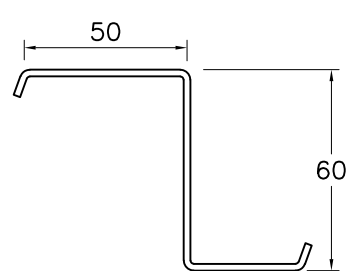
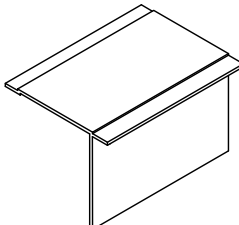
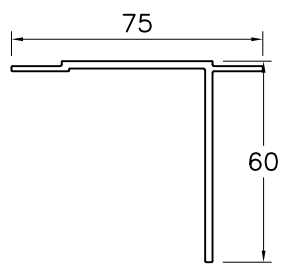
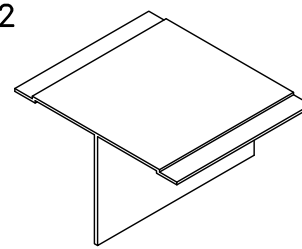
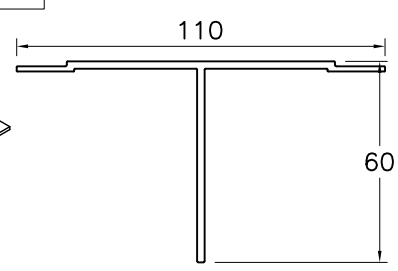


RAINSCREEN/SOFFIT PANEL SUPPORT FRAMING SYSTEM—COMPONENT DESCRIPTION

* subject to stock availability

		Refs and Part nos
<p>P546 NC ISO-PAD[®]</p>  <p>160 for P521 80 for P528 50 for P157</p>		<p>P546/80, P546/160 and P546/50</p> <p>10mm thk. NC thermal pad</p> <p>NC = Non Combustible</p> <p>(In packs of 200)</p>
<p>P754 APZ-A 60</p> <p>50x60x2</p>  		<p>Materials Aluminium 2mm thick 6063-t6</p> <p>Tritherm spacer system is protected under patent no. 2384792</p> <p>P754 – extruded Z section in standard 6.2m lengths + PPC available. (In packs of 10).</p>
<p>P759 ANGLE</p> <p>L 75x60x2.2</p>  		<p>Materials Aluminium 2.2mm thick 6063-t6</p> <p>Tritherm spacer system is protected under patent no. 2384792</p> <p>P759 – extruded L section in standard 3m/6m lengths + PPC available. (In packs of 10).</p>
<p>P760 TEE</p> <p>T 110x60x2.2</p>  		<p>Materials Aluminium 2.2mm thick 6063-t6</p> <p>Tritherm spacer system is protected under patent no. 2384792</p> <p>P760 – extruded T section in standard 3m/6m lengths + PPC available. (In packs of 10).</p>

Please note that all dimensions and thicknesses are nominal as coated and/or as finished, and are subject to coil and manufacturing tolerances.

Please consult our experienced staff for all technical enquiries.

Whilst every endeavour is made to keep literature up to date, specifications may change without prior notice due to a policy of continued research and development.

Architectural Profiles Limited cannot be held responsible for the mis-use of span tables and its contents. E&OE

RAINSCREEN/SOFFIT PANEL SUPPORT FRAMING SYSTEM—COMPONENT DESCRIPTION

* subject to stock availability

Refs and Part nos
P521 and P528
Standard as 3mm, 4mm thick and Non-standard as 5mm thick (In packs of 10)

HANDI-BRACKET[®] SYSTEM

as Single (S) Helping hand
as Double (D) Helping hand

sizes available:—
56mm to 415mm

P521/160
load-bearing/restraint
(subject to loads)

P528/80
Non-load-bearing
(subject to loads)

Please note that all dimensions and thicknesses are nominal as coated and/or as finished, and are subject to coil and manufacturing tolerances. Please consult our experienced staff for all technical enquiries. Whilst every endeavour is made to keep literature up to date, specifications may change without prior notice due to a policy of continued research and development. Architectural Profiles Limited cannot be held responsible for the mis-use of span tables and its contents. E&OE